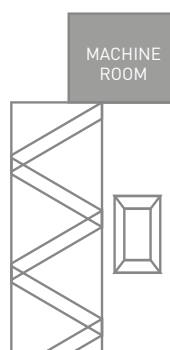
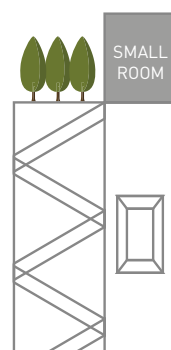


ELEVATOR



Machine room in machine room elevator



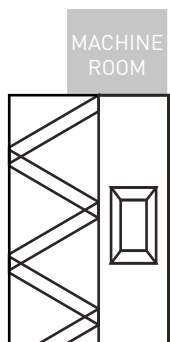
Machine room in small machine room elevator

SMALL MACHINE ROOM PASSENGER ELEVATOR

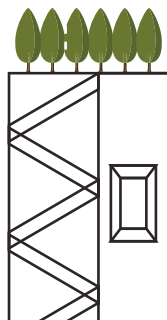
Mashiba-Rhine Compact Elevator Series applies the latest integrated technology, utilizing a compact permanent magnet synchronous gearless traction (PMSM) and a special design control cabinet for space saving. A key feature of this elevator is that it ensures the area of the machine room is exactly the same as that of the well path, allow more freedom for architectural design. In addition, it allows more efficient building utilization ratio with improved design flexibility.







Machine room in
machine room elevator



Machine room in
machine roomless elevator

MACHINE ROOMLESS PASSENGER ELEVATOR

MASHIBA-RHINE Machine Room-Less Elevator Series offers a solution that overcomes various restrictions associated with traditional elevator systems. Eliminating the need for a separate machine room, this saves building space and cost while also enabling architects and developers to fully utilize their creativity in building design, presenting a higher level of creative freedom.

CAR DECORATION



LA001

Ceiling: Hairline Stainless Steel, Acrylic Top-Plate, LED Light

Car Wall: Hairline Stainless Steel

Floor: PVC



LA002

Ceiling: Hairline Stainless Steel, Acrylic Top-Plate, LED Light

Car Wall: Hairline Stainless Steel

Floor: PVC



LA003

Ceiling: Hairline Stainless Steel, LED Light
Car Wall: Hairline Stainless Steel
Floor: PVC



LA004

Ceiling: Hairline Stainless Steel, Acrylic Top-Plate
Car Wall: Hairline Stainless Steel
Floor: PVC

CAR DECORATION



LA005

- Ceiling: Mirror Stainless Steel, LED Light
- Car Wall: Hairline Stainless Steel, Mirror Stainless Steel, Etched Mirror Stainless Steel
- Floor: PVC



LA006

- Ceiling: Hairline Stainless Steel, Acrylic Top-Plate, LED Light
- Car Wall: Hairline Stainless Steel, Mirror Stainless Steel, Etched Mirror Stainless Steel
- Floor: PVC



LA007

- Ceiling: Hairline Stainless Steel, Acrylic Top-Plate, LED Light
- Car Wall: Hairline Stainless Steel, Enameled Steel Plate, Mirror Stainless Steel
- Floor: PVC



LA009

- Ceiling: Hairline Stainless Steel, Acrylic Top-Plate, LED Light
- Car Wall: Hairline Stainless Steel, Enameled Steel Plate, Mirror Stainless Steel
- Floor: PVC

CAR DECORATION



HSEQ-1306

- Ceiling: Coated Steel Plate, Ceiling-Lamp, LED Light
- Car Wall: Titanium Mirror Etching, Mirror Stainless Steel, Marble
- Handrail: Titanium Stainless Steel
- Floor: Marble



HSEQ-0927

- Ceiling: Titanium Mirror Stainless Steel, Titanium Etching Stainless Steel, LED Light
- Car Wall: Titanium Etching Stainless Steel, Mirror Stainless Steel
- Handrail: Stainless Steel
- Floor: Marble



HSEQ-0929

- Ceiling: Mirror Stainless Steel, Acrylic Top-Plate, LED Light
- Car Wall: Titanium Hairline Stainless Steel, Titanium Mirror Etched Stainless Steel
- Handrail: Titanium Mirror Stainless Steel
- Floor: Marble



HSEQ-1322

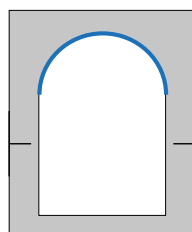
- Ceiling: Champagne Quartz Blasted ST.ST., Acrylic, LED Spotlight
- Car Wall: Champagne Quartz Blasted ST.ST., Champagne Quartz Mirror ST.ST.
- Handrail: ST.ST.Tube
- Floor: Marble



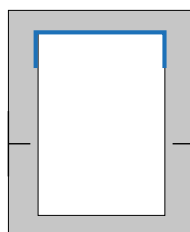
OBSERVATION ELEVATOR

MASHIBA-RHINE Observation Elevator Series is designed to enhance the overall aesthetics of a building, serving as an observation deck to highlight the elegance and beauty of the building. Incorporating modern materials and advanced technology which includes a fully computerized and variable voltage variable frequency (VVF) control technology, the observation elevator ensures smooth and precise operation while maintaining energy efficiency.

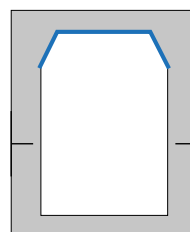
This elevator series provides passengers with a truly mobile scenic journey, allowing them to enjoy an unparalleled and exquisite visual delight. It is available in various shapes, including round, half-round, square, and cutting-angle types.



Semi-circular shaped



Square



Cutting-angle-type





CAR DECORATION



RH-13-45

Canopy:	Acrylic, Mirror Stainless Steel, Roasted Steel
Ceiling:	Emaeled Steel, Acrylic and LED
Observation Wall:	Laminated Safety Glass
Wall:	Hairline Stainless Steel
Handrail:	Stainless Steel
Floor:	PVC
Frontwall:	Hairline Stainless Steel
Car Door:	Hairline Stainless Steel

RH-002-003

Canopy:	Acrylic, Mirror Stainless Steel, Roasted Steel
Ceiling:	Mirror Stainless Steel, Acrylic, Emaeled Steel
Observation Wall:	Mirror Stainless Steel and LED Laminated Safety Glass
Wall:	Hairline Stainless Steel
Handrail:	Stainless Steel
Floor:	PVC
Frontwall:	Hairline Stainless Steel
Car Door:	Hairline Stainless Steel



RH-13-44

- Canopy: Acrylic, Hairline Stainless Steel
- Ceiling: Hairline Stainless Steel, Acrylic
- Observation Wall: Laminated Safety Glass
- Wall: Hairline Stainless Steel
- Handrail: Stainless Steel
- Floor: PVC
- Frontwall: Hairline Stainless Steel
- Car Door: Hairline Stainless Steel



LA216

- Canopy: Mirror Stainless Steel, Acrylic, LED Light
- Ceiling: Hairline Stainless Steel, Acrylic
- Observation Wall: Laminated Safety Glass
- Wall: Mirror Stainless Steel
- Handrail: Stainless Steel
- Floor: PVC
- Frontwall: Mirror Stainless Steel
- Car Door: Hairline Stainless Steel





INTERFACE

COP (CAR OPERATING PANEL)



L2116

Option

Swing Type



L2112

Standard

Faceplate Type

HIB (HALL INDICATOR BUTTON)



L2230

Standard

Wall mounted HIB

Hairline Stainless Steel

Display: White characters on black background.



L2231

Option

Wall mounted HIB

Borax Anti-fingerprint

Display: White characters on black background.



L2209

Option

In-wall HIB

Hairline Stainless Steel or Mirror Stainless Steel

Display: White characters on black background, or White characters on a blue background.



WF-IND1

Option

Wall mounted HIB

Hairline Stainless Steel or Mirror Stainless Steel

Display: White characters on black background, or White characters on a blue background.

DISPLAY FOR COP



L2306

Standard

Segment with liquid crystal
(White characters on
black background)



L2304-H

Option

Segment with liquid crystal
(White characters on
blue background)



L2305

Option

LCD
(Liquid Crystal Display)

DISPLAY FOR HIB



L2307

Standard

Segment with liquid crystal
(White characters on
black background)



L2304

Option

Segment with liquid crystal
(White characters on
blue background)



L2308

Option

LCD
(Liquid Crystal)

BUTTON



L2404

Standard

Ordinary



L2404-M

Option

Button with braille

STAINLESS STEEL SAMPLE



L4201

Hairline Stainless Steel



L4203

Mirror Stainless Steel



L4214

Frosted Stainless Steel



L4216

Black Ti-Mirror Stainless Steel



L4204

Ti-Hairline Stainless Steel



L4206

Ti-Mirror Stainless Steel

SUSPENDED CEILING



RHET-001-020

Hairline Stainless Steel, LED Light



RHET-001-016

Hairline Stainless Steel, LED Light



RHET-015-003

Hairline Stainless Steel, Acrylic, LED Light



RHET-001-021

Hairline Stainless Steel, LED Light



RHET-001-007

Hairline Stainless Steel, Acrylic, LED Light



RHET-001-004

Hairline Stainless Steel, LED Light

HANDRAIL SERIES



RHEF-001-007



RHEF-001-006

2

SOUTH
W.F.O.C.

SHOP & RESTAURANT
W.F.O.C.

NORTH
RESTAURANT
W.F.O.C.

SHOP & RESTAURANT
W.F.O.C.

SHOP & RESTAURANT
W.F.O.C.

NORTH
W.F.O.C.



LANDING DOOR SERIES



RHM-01

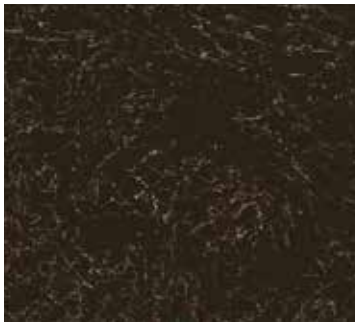
Painted Steel (Colour:RAL9022)



RHM-02

Hairline Stainless Steel

PVC FLOOR



RHEP-001-018



RHEP-001-022



RHEP-001-021



RHEP-001-031



RHEP-001-020



RHEP-001-002

ELEVATOR FUNCTION TABLE

STANDARD

NO	FUNCTION DESCRIPTION
1	Simplex Full Selective Collective operation
2	Attendant Switch Service Operation
3	Car Parking Switch Operation
4	Inspection Operation (Car Top & Control Panel)
5	Fire Signal Emergency Operation (Returning to Rescue/Main Floor)
6	Automatic Homing to Main/Lobby Floor operation
7	Reverse Direction Car Call Cancellation Operation
8	Nuisance Call Cancellation in Car (by weight & no of calls)
9	Full Load Bypass Hall Call Operation
10	Overload Protection Operation
11	Multibeam Door Safety Protection Operation
12	Motor Overheat Protection Operation
13	Automatic Car Lighting and Fan Cut-Off Operation
14	Car Arrival Gong/Chime Operation
15	Emergency Alarm Bell (auto charging)
16	Emergency LED Lighting in the car (auto charging)
17	Interphone system

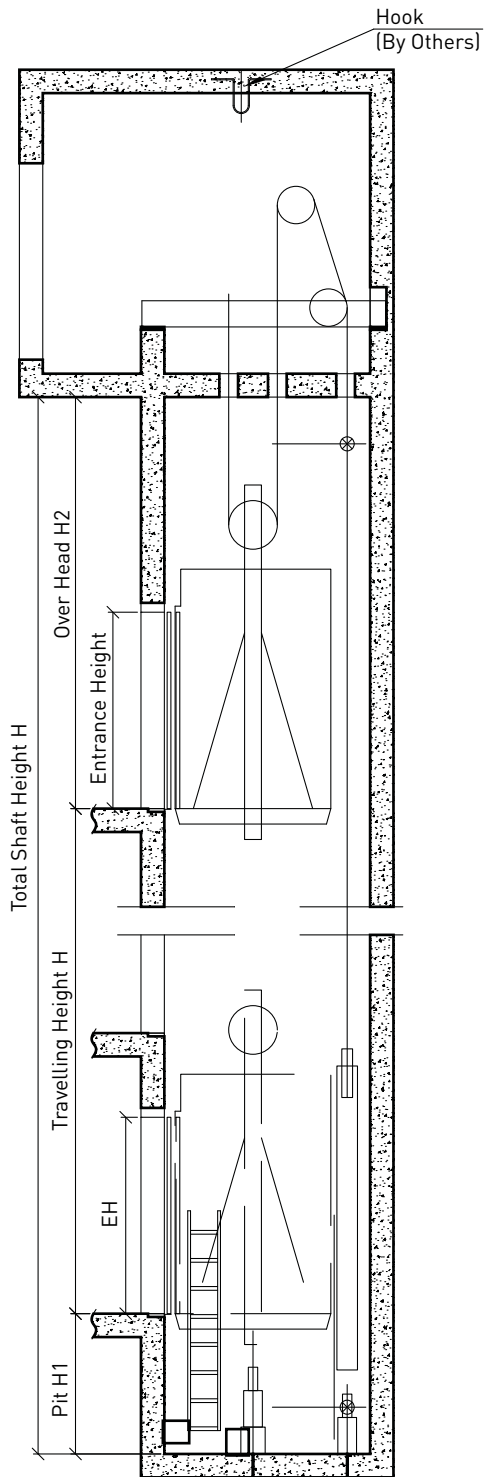
OPTIONAL

NO	FUNCTION DESCRIPTION
1	Group Operation (2-8 Cars)
2	Fireman Switch Operation
3	Independent Switch Service Operation
4	Automatic Rescue Device (ARD)
5	Auto Floor Announcement Device (Floor No)
6	Seismic Emergency Operation
7	Multibeam + Mechanical Safety Edge Protection
8	Card Access Operation
9	Elevator Monitoring System
10	Building Automation (BA) Interface

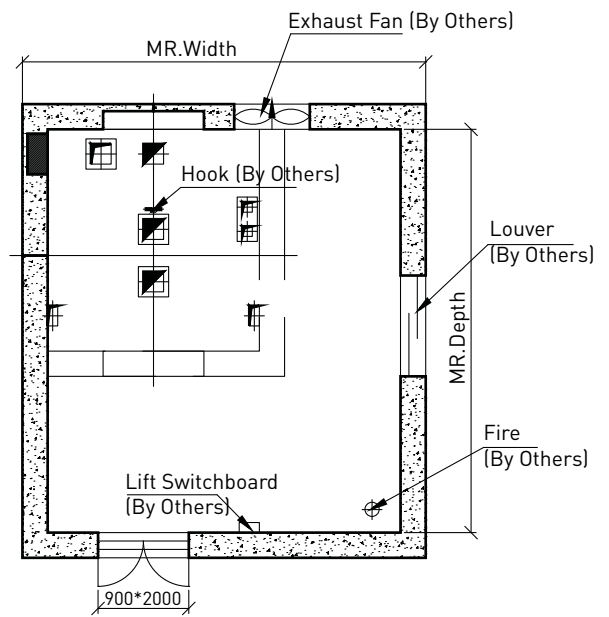


PASSENGER LIFT STANDARD CONSTRUCTION LAYOUT

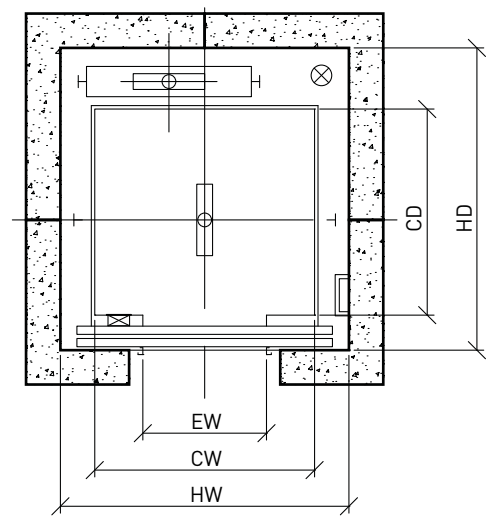
SHAFT SECTION



MACHINE ROOM PLAN



SHAFT PLAN



BASIC SPECIFICATION PARAMETERS

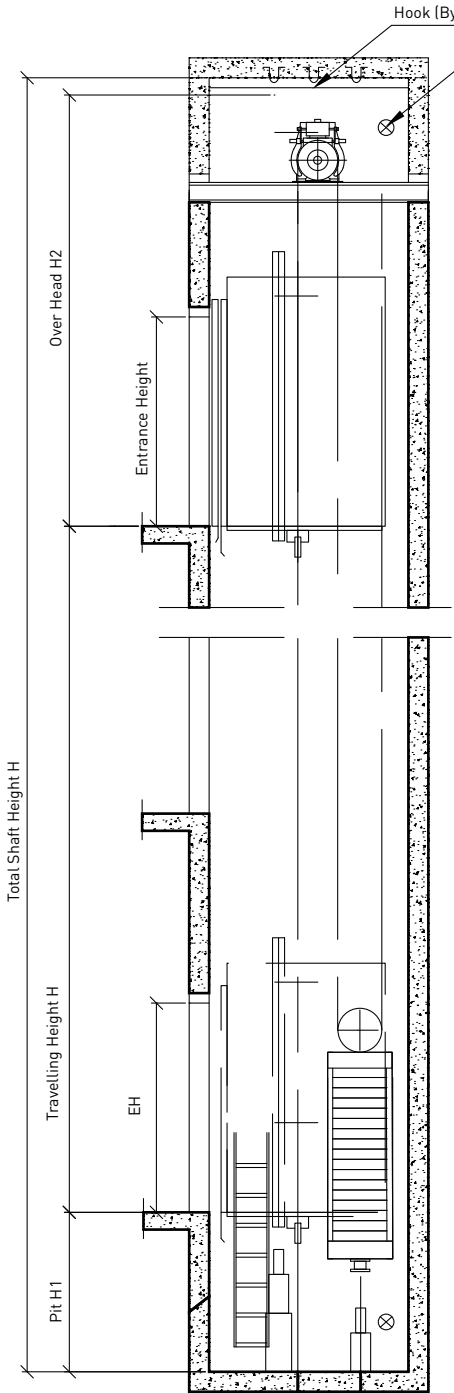
Rated Load (kg)	Speed m/s	Car Internal Size CW X CD	Entrance Size EW X EH	Number of Open Doors	Door Type	Hoistway Size HW X HD	Pit Depth H1 (mm)	Overhead Height H2 (mm)	Remarks	
630	1	1400 X 1100	800 X 2100	Single Entrance	CO	1900 X 1750	1500	4400	Simplex	
	1.5						1600	4500		
	1.75						1600	4600		
630	1	1050 X 1470	800 X 2100	Double Entrance	CO	1950 X 2000	1500	4400	Simplex	
	1.5						1600	4500		
	1.75						1600	4600		
800	1	1400 X 1350	800 X 2100	Single Entrance	CO	1900 X 2000	1500	4400	Simplex	
	1.5						1600	4500		
	1.75						1600	4600		
800	1	1250 X 1470	800 X 2100	Double Entrance	CO	2150 X 2000	1500	4400	Simplex	
	1.5						1600	4500		
	1.75						1600	4600		
1000	1	1600 X 1500	900 X 2100	Single Entrance	CO	2100 X 2200	1500	4400	Simplex	
	1.5						1600	4500		
	1.75						1600	4600		
	2						2200 X 2200	2000		4900
	2.5						2200 X 2200	2200		5300
	3						2300 X 2300	3200		5900
	4						2300 X 2400	4000		6600
1000	1	1450 X 1470	900 X 2100	Double Entrance	CO	2350 X 2100	1500	4400	Simplex	
	1.5						1600	4500		
	1.75						1600	4600		
1000	1	1600 X 1500	900 X 2100	Single Entrance	CO	2100 X 2200	1500	4400	Duplex	
	1.5						1600	4500		
	1.75						1600	4600		
1000	1	1100 X 2100	900 X 2100	Single Entrance	CO	2100 X 2500	1500	4400	Bed Lift	
	1.5						1600	4500		
	1.75						1600	4600		
1150	1	1800 X 1500	900 X 2100	Single Entrance	CO	2350 X 2200	1500	4400	Simplex	
	1.5						1600	4500		
	1.75						1600	4600		
	2						2400 X 2200	2000		4900
	2.5						2400 X 2200	2200		5300
	3						2500 X 2400	3200		5900
	4						2500 X 2400	4000		6600
1250	1	1900 X 1500	1000 X 2100	Single Entrance	CO	2500 X 2200	1500	4400	Simplex	
	1.5						1600	4500		
	1.75						1600	4600		
	2						2500 X 2300	2000		4900
	2.5						2500 X 2300	2200		5300
	3						2600 X 2400	3200		5900
	4						2600 X 2400	4000		6500
1350	1	1650 X 1800	1000 X 2100	Single Entrance	CO	2650 X 2200	1500	4400	Simplex	
	1.5						1600	4500		
	1.75	1600					4600			
	2	2000 X 1500					2000	4900		
	2.5	2000 X 1500					2200	5300		
	3	2000 X 1500					3200	5900		
	4	2000 X 1500					4000	6500		
1600	1	1800 X 1900	1100 X 2100	Single Entrance	CO	2800 X 2400	1500	4400	Simplex	
	1.5						1600	4500		
	1.75	1600					4600			
	2	2700 X 2500					2000	4900		
	2.5	2700 X 2500					2200	5300		
	3	2800 X 2600					3200	5900		
	4	2800 X 2600					4000	6500		
1600	1	1400 X 2400	1200 X 2100	Single Entrance	CO	2600 X 2800	1500	4500	Bed Lift	
	1.5						1600	4600		
	1.75						1600	4600		
2000	1	1900 X 2100	1200 X 2100	Single Entrance	CO	3000 X 2700	1500	4400	Simplex	
	1.5						1600	4500		
	1.75						1600	4600		
2000	1	1500 X 2500	1200 X 2100	Single Entrance	CO	2800 X 3000	1700	4500	Bed Lift	
	1.5						1800	4600		
	1.75						1900	4600		

Remarks:

1. The dimensions listed in the chart represent the minimum requirements for the hoistway.
2. The width and depth dimensions are based on a clear dimension with a tolerance of ±25.4mm at each side.
3. The dimensions listed in the chart are based on 2 panel center opening door (CO). For 2 panel side opening door (2S), it is advised to contact the local distributor for applicable dimensions.

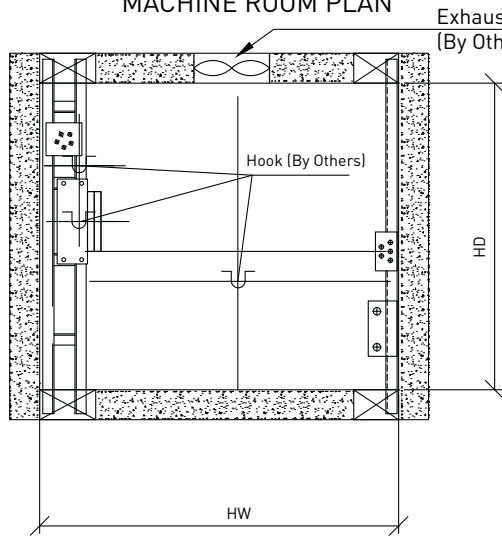
LIFT MACHINE ROOMLESS STANDARD CONSTRUCTION LAYOUT

SHAFT SECTION



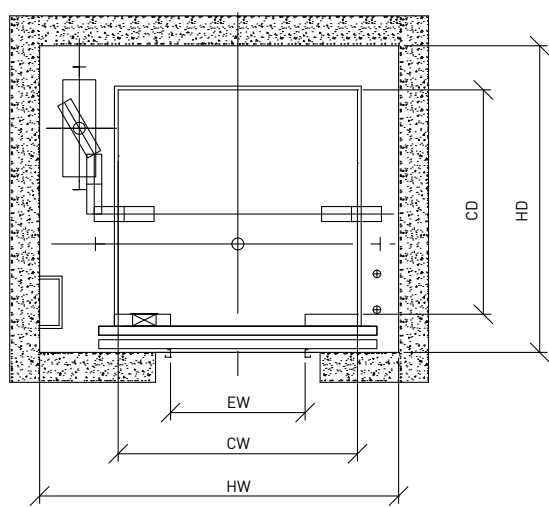
Hook (By Others)
Lighting and General Power Outlet (By Others)

MACHINE ROOM PLAN



Exhaust Fan (By Others)

SHAFT PLAN



BASIC SPECIFICATION PARAMETERS

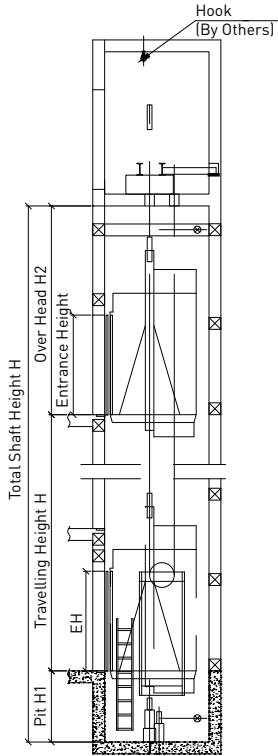
Rated Load (kg)	Speed m/s	Car Internal Size CW X CD	Entrance Size EW X EH	Number of Open Doors	Door Type	Hoistway Size HW X HD	Pit Depth H1(mm)	Overhead Height H2(mm)	Remarks
630	1	1100 X 1400	800 X 2100	Single Entrance	CO	1950 X 2000	1600	4400	Simplex
	1.5						1800	4600	
	1.75						1800	4600	
630	1	1300 X 1170	800 X 2100	Double Entrance	CO	2200 X 1700	1600	4400	Simplex
	1.5						1800	4600	
	1.75						1800	4600	
800	1	1350 X 1400	800 X 2100	Single Entrance	CO	2150 X 2000	1600	4400	Simplex
	1.5						1800	4600	
	1.75						1800	4600	
800	1	1350 X 1370	800 X 2100	Double Entrance	CO	2250 X 1900	1600	4400	Simplex
	1.5						1800	4600	
	1.75						1800	4600	
1000	1	1600 X 1500	900 X 2100	Single Entrance	CO	2400 X 2050	1600	4600	Simplex
	1.5						1800	4800	
	1.75						1800	4800	
1000	1	1550 X 1470	900 X 2100	Double Entrance	CO	2450 X 2000	1600	4600	Simplex
	1.5						1800	4800	
	1.75						1800	4800	
1000	1	1100 X 2100	900 X 2100	Single Entrance	CO	2100 X 2500	1600	4600	Bed Lift
	1.5						1800	4800	
	1.75						1800	4800	
1150	1	1600 X 1650	900 X 2100	Single Entrance	CO	2550 X 2100	1600	4600	Simplex
	1.5						1800	4800	
	1.75						1800	4800	
1250	1	1650 X 1700	1000 X 2100	Single Entrance	CO	2600 X 2350	1700	4600	Simplex
	1.5						1800	4800	
	1.75						1900	4800	
1350	1	1700 X 1750	1000 X 2100	Single Entrance	CO	2650 X 2400	1700	4600	Simplex
	1.5						1800	4800	
	1.75						1900	4800	
1600	1	1800 X 1900	1100 X 2100	Single Entrance	CO	2800 X 2500	1700	4800	Simplex
	1.5						1800	5000	
	1.75						1900	5100	
1600	1	1400 X 2400	1200 X 2100	Single Entrance	CO	2650 X 2800	1500	4400	Simplex
	1.5						1600	4450	
	1.75						1600	4500	
2000	1	1900 X 2100	1200 X 2100	Single Entrance	CO	3000 X 2600	1800	4900	Bed Lift
	1.5						2000	5000	
	1.75						2000	5100	
2000	1	1500 X 2500	1200 X 2100	Single Entrance	CO	2800 X 3000	1800	4900	Bed Lift
	1.5						2000	5000	
	1.75						2000	5100	

Remarks:

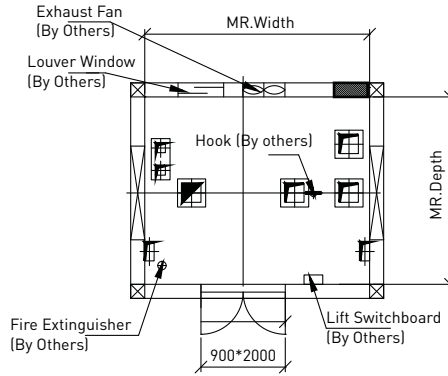
1. The dimensions listed in the chart represent the minimum requirements for the hoistway.
2. The width and depth dimensions are based on a clear dimension with a tolerance of ± 25.4 mm at each side.
3. The dimensions listed in the chart are based on 2 panel center opening door (CO). For 2 panel side opening door (2S), it is advised to contact the local distributor for applicable dimensions.

MACHINEROOM PANORAMIC STANDARD CONSTRUCTION LAYOUT

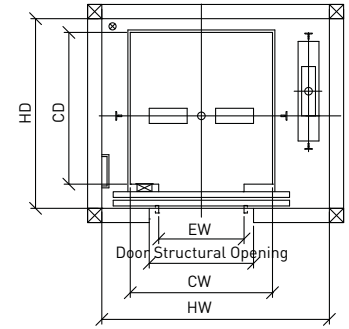
SHAFT SECTION



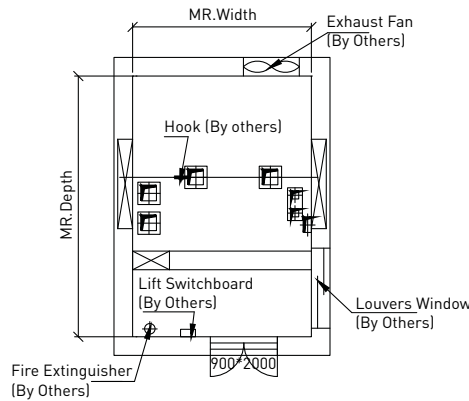
MACHINE ROOM PLAN



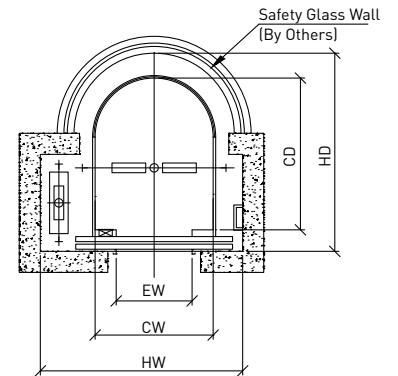
SHAFT PLAN



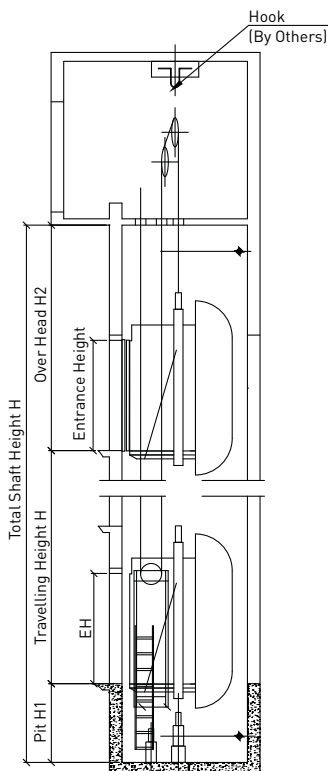
MACHINE ROOM PLAN



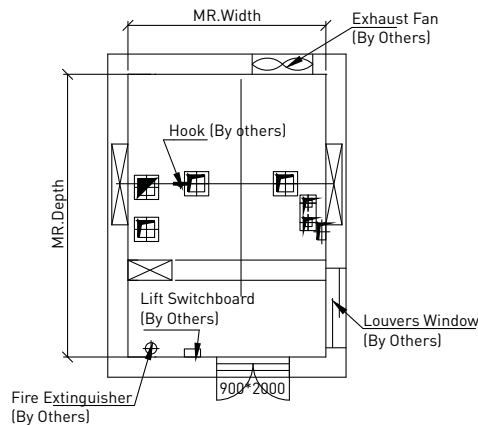
SHAFT PLAN



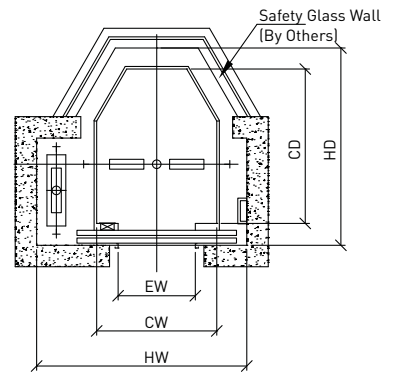
SHAFT SECTION



MACHINE ROOM PLAN



SHAFT PLAN



BASIC SPECIFICATION PARAMETERS

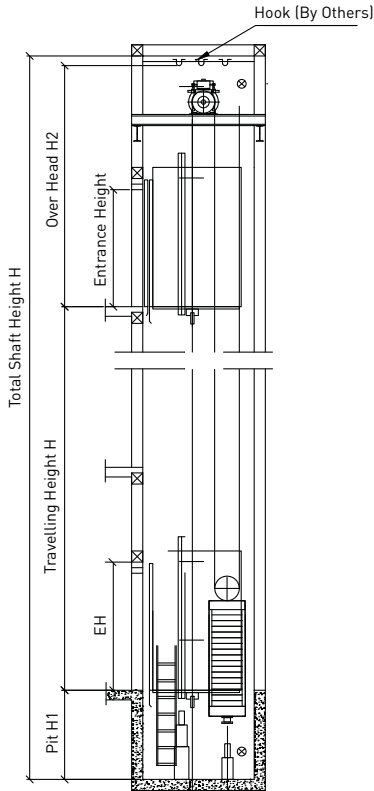
Rated Load [kg]	Speed m/s	Car Internal Size CW X CD	Entrance Size EW X EH	Number of Open Doors	Door Type	Hoistway Size HW X HD	Pit Depth H1 (mm)	Overhead Height H2 (mm)	Remarks	
630	1	1400 X 1100	800 X 2100	Single Entrance	CO	1900 X 1750	1500	4400	Simplex	
	1.5						1600	4500		
	1.75						1600	4600		
630	1	1050 X 1470	800 X 2100	Double Entrance	CO	1950 X 2000	1500	4400	Simplex	
	1.5						1600	4500		
	1.75						1600	4600		
800	1	1400 X 1350	800 X 2100	Single Entrance	CO	1900 X 2000	1500	4400	Simplex	
	1.5						1600	4500		
	1.75						1600	4600		
800	1	1250 X 1470	800 X 2100	Double Entrance	CO	2150 X 2000	1500	4400	Simplex	
	1.5						1600	4500		
	1.75						1600	4600		
1000	1	1600 X 1500	900 X 2100	Single Entrance	CO	2100 X 2200	1500	4400	Simplex	
	1.5						1600	4500		
	1.75						1600	4600		
	2						2200 X 2200	2000		4900
	2.5						2200 X 2200	2200		5300
	3						2300 X 2300	3200		5900
1000	1	1450 X 1470	900 X 2100	Double Entrance	CO	2350 X 2100	1500	4400	Simplex	
	1.5						1600	4500		
	1.75						1600	4600		
1000	1	1600 X 1500	900 X 2100	Single Entrance	CO	2100 X 2200	1500	4400	Simplex	
	1.5						1600	4500		
	1.75						1600	4600		
1000	1	1100 X 2100	900 X 2100	Single Entrance	CO	2100 X 2500	1500	4400	Simplex	
	1.5						1600	4500		
	1.75						1600	4600		
1150	1	1800 X 1500	900 X 2100	Single Entrance	CO	2350 X 2200	1500	4400	Simplex	
	1.5						1600	4500		
	1.75						1600	4600		
	2						2400 X 2200	2000		4900
	2.5						2400 X 2200	2200		5300
	3						2500 X 2400	3200		5900
1250	1	1900 X 1500	1000 X 2100	Single Entrance	CO	2500 X 2200	1500	4400	Simplex	
	1.5						1600	4500		
	1.75						1600	4600		
	2						2500 X 2300	2000		4900
	2.5						2500 X 2300	2200		5300
	3						2600 X 2400	3200		5900
1350	1	1650 X 1800	1000 X 2100	Single Entrance	CO	2650 X 2200	1500	4400	Simplex	
	1.5						1600	4500		
	1.75						1600	4600		
	2						2700 X 2300	2000		4900
	2.5						2700 X 2300	2200		5300
	3						2700 X 2400	3200		5900
1600	1	1800 X 1900	1100 X 2100	Single Entrance	CO	2800 X 2400	1500	4400	Simplex	
	1.5						1600	4500		
	1.75						1600	4600		
	2						2700 X 2500	2000		4900
	2.5						2700 X 2500	2200		5300
	3						2800 X 2600	3200		5900
2000	1	1900 X 2100	1200 X 2100	Single Entrance	CO	3000 X 2700	1500	4400	Simplex	
	1.5						1600	4500		
	1.75						1600	4600		

Remarks:

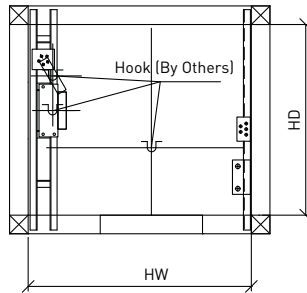
1. The dimensions listed in the chart represent the minimum requirements for the hoistway.
2. The width and depth dimensions are based on a clear dimension with a tolerance of ±25.4mm at each side.
3. The dimensions listed in the chart are based on 2 panel center opening door (CO). For 2 panel side opening door (2S), it is advised to contact the local distributor for applicable dimensions.

MACHINE ROOMLESS PANORAMIC STANDARD CONSTRUCTION LAYOUT

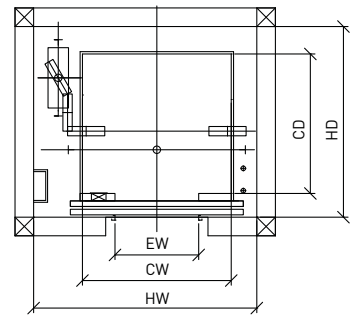
SHAFT SECTION



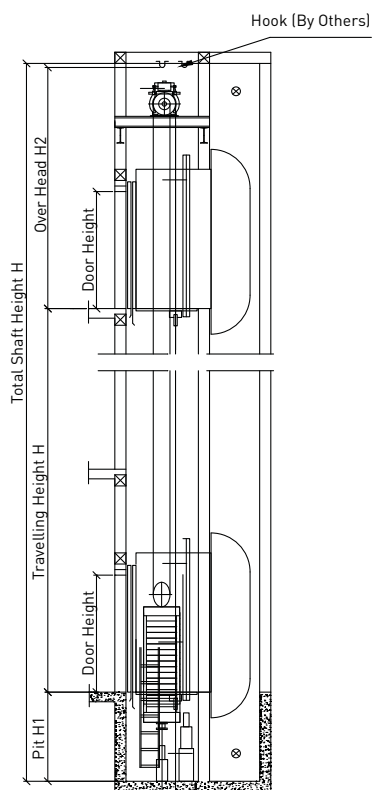
MACHINE ROOM PLAN



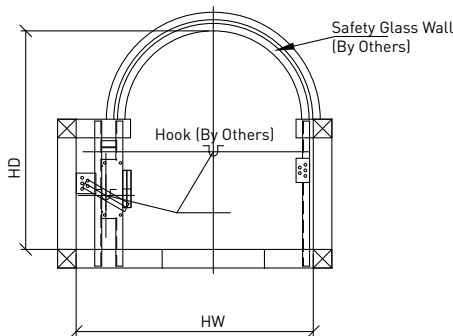
SHAFT PLAN



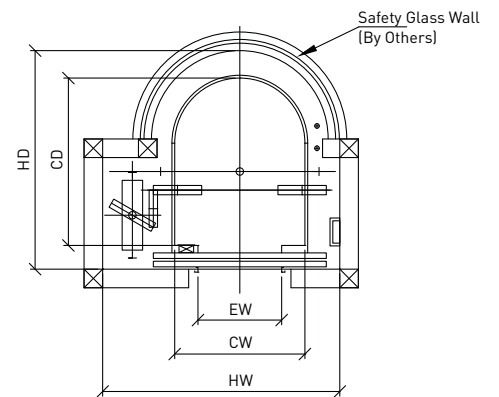
SHAFT SECTION



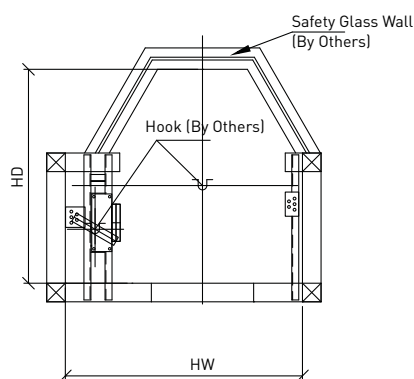
MACHINE ROOM PLAN



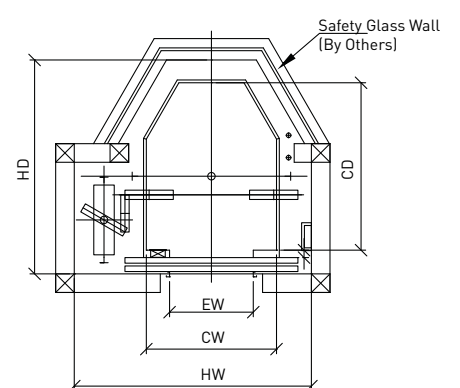
SHAFT PLAN



MACHINE ROOM PLAN



SHAFT PLAN



BASIC SPECIFICATION PARAMETERS

Rated Load (kg)	Speed m/s	Car Internal Size CW X CD	Entrance Size EW X EH	Number of Open Doors	Door Type	Hoistway Size HW X HD	Pit Depth H1 (mm)	Overhead Height H2 (mm)	Remarks
630	1	1100 X 1400	800 X 2100	Single Entrance	CO	1950 X 2000	1600	4500	Square, Simplex
	1.5						1800	4600	
	1.75						1800	4800	
630	1	1150 X 1550	800 X 2100	Single Entrance	CO	2300 X 2150	1700	4500	Semicircular, Hexagon, Simplex
	1.5						1800	4700	
	1.75						1900	4800	
800	1	1350 X 1400	800 X 2100	Single Entrance	CO	2150 X 2000	1700	4500	Square, Simplex
	1.5						1800	4700	
	1.75						1900	4800	
800	1	1200 X 1750	800 X 2100	Single Entrance	CO	2350 X 2250 2300 X 2200	1700	4500	Semicircular, Hexagon, Simplex
	1.5						1800	4700	
	1.75						1900	4800	
1000	1	1600 X 1500	900 X 2100	Single Entrance	CO	2400 X 2050	1700	4700	Square, Simplex
	1.5						1800	4900	
	1.75						1900	5000	
1000	1	1400 X 1800	900 X 2100	Single Entrance	CO	2550 X 2350 2550 X 2300	1700	4700	Semicircular, Hexagon, Simplex
	1.5						1800	4900	
	1.75						1900	5000	
1250	1	1650 X 1700	1000 X 2100	Single Entrance	CO	2600 X 2350	1800	4700	Square, Simplex
	1.5						1900	5000	
	1.75						2000	5000	
1250	1	1550 X 1950	1000 X 2100	Single Entrance	CO	2700 X 2550 2700 X 2500	1800	4700	Semicircular, Hexagon, Simplex
	1.5						1900	5000	
	1.75						2000	5000	
1350	1	1700 X 1750	1000 X 2100	Single Entrance	CO	2650 X 2400	1800	4700	Square, Simplex
	1.5						1900	4900	
	1.75						2000	5000	
1350	1	1600 X 2050	1000 X 2100	Single Entrance	CO	2750 X 2600 2800 X 2600	1800	4700	Semicircular, Hexagon, Simplex
	1.5						1900	4700	
	1.75						2000	5000	
1600	1	1900 X 1800	1100 X 2100	Single Entrance	CO	2800 X 2500	1900	4800	Square, Simplex
	1.5						1950	5000	
	1.75						2000	5100	
1600	1	1800 X 2100	1000 X 2100	Single Entrance	CO	3000 X 2700	1900	4800	Semicircular, Hexagon, Simplex
	1.5						1950	5000	
	1.75						2000	5100	

Remarks:

1. The dimensions listed in the chart represent the minimum requirements for the hoistway.
2. The width and depth dimensions are based on a clear dimension with a tolerance of ± 25.4 mm at each side.
3. The dimensions listed in the chart are based on 2 panel center opening door (CO). For 2 panel side opening door (2S), it is advised to contact the local distributor for applicable dimensions.

MASHIBA

Comfort For Life

INTERNATIONAL SALES OFFICE

Mashiba Elevators Sdn. Bhd.

Company No: 200701038879 (796909-P)

8th Floor, West Wing, Wisma Penang Garden,
42, Jalan Sultan Ahmad Shah, 10050 Pulau Pinang, Malaysia.

t +6 04 229 4300
e intlsales@mashiba.com.my
w www.mashiba.com.my

HEADQUARTERS

Mashiba Elevator Engineering Sdn. Bhd.

Company No: 202201013854 (1459551-V)

Menara Poh & Poh, Level 2-A, 2A, Jalan 13/6A,
46200 Petaling Jaya, Selangor, Malaysia.

t +6 03 7941 1899
e wecare@mashiba.com.my
w www.mashiba.com.my